

3830

EQUIPTO

Zip-in Assembly
Instructions

READ INSTRUCTIONS BEFORE ASSEMBLING

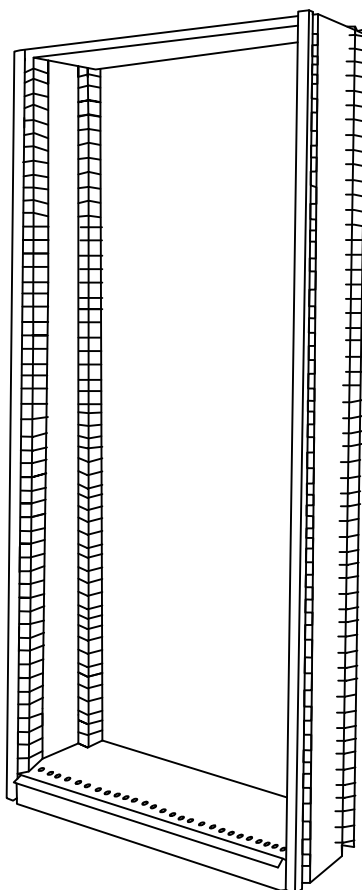
TABLE OF CONTENTS

I BASIC UNIT ASSEMBLY

1. TOP AND BOTTOM SHELF ASSEMBLY.....PAGE 3
 1a. MOUNTING BOTTOM SHELF TO END PANELS.....PAGE 3
 2a. MOUNTING TOP SHELF TO END PANELS.....PAGE 3
2. BACK PANEL ASSEMBLY.....PAGE 4

II ADDITIONAL SHELVING UNITS

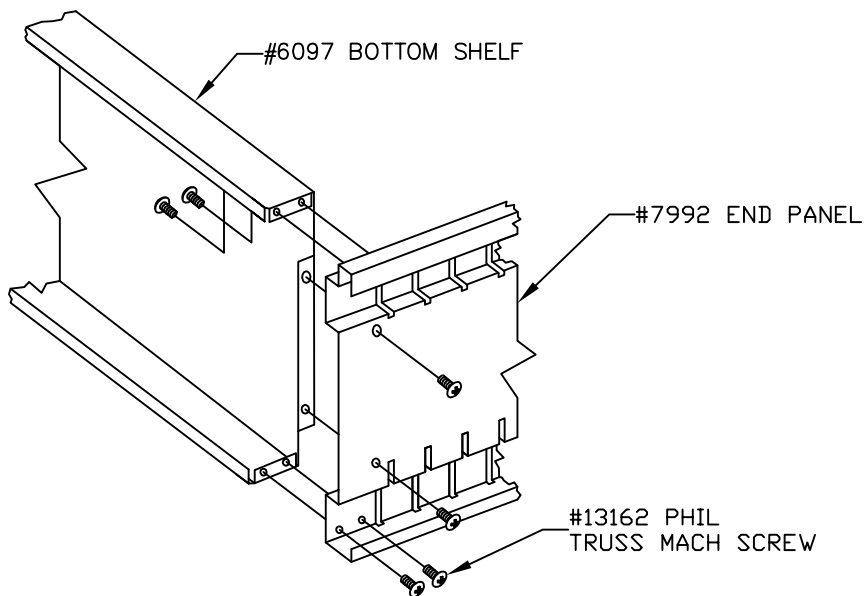
1. SHELVING ADDITIONS.....PAGE 5
 1a. MOUNTING INTERMEDIATE SHELF TO END PANELS.....PAGE 5
 2a. MOUNTING DIVIDERS TO SHELVING.....PAGE 5
 3a. MOUNTING LABEL HOLDERS TO SHELVING.....PAGE 6
 4a. SHELVING DRAWERS ASSEMBLY.....PAGE 6
 5a. SHELVING REINFORCEMENT.....PAGE 8
2. SHELVING CONFIGURATIONS.....PAGE 8



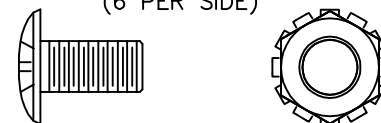
I BASIC UNIT ASSEMBLY

① TOP AND BOTTOM SHELF ASSEMBLY

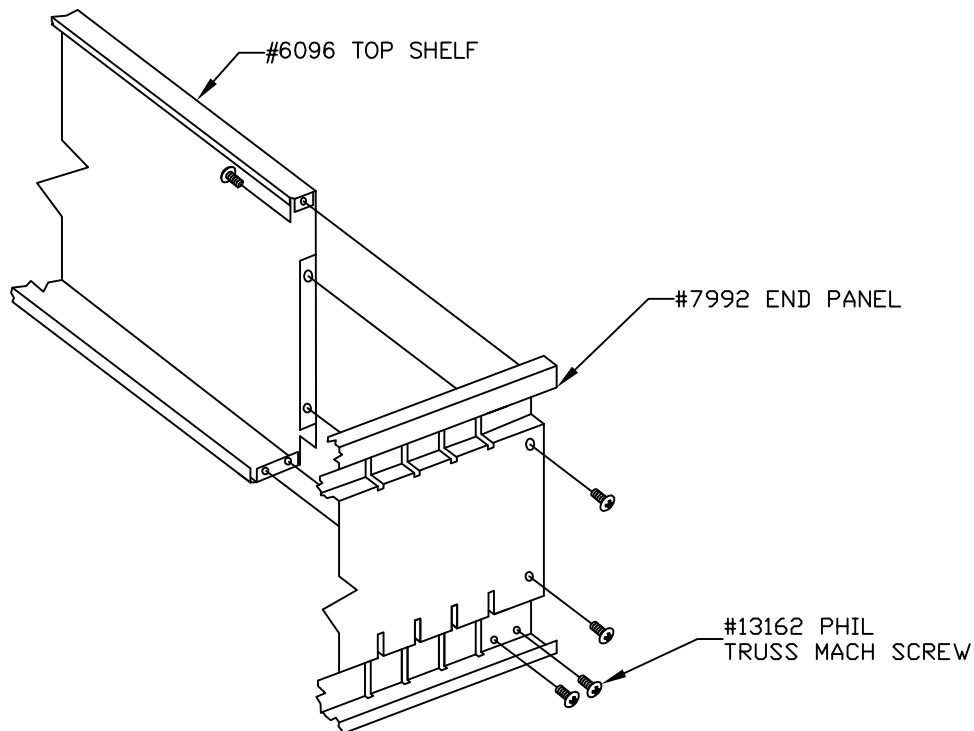
1a.) MOUNTING BOTTOM SHELF TO END PANELS



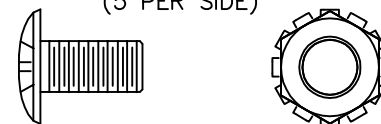
#13162 PHIL TRUSS MACH SCREW
#13060 KEPS NUT 1/4-20
(6 PER SIDE)



2a.) MOUNTING TOP SHELF TO END PANELS

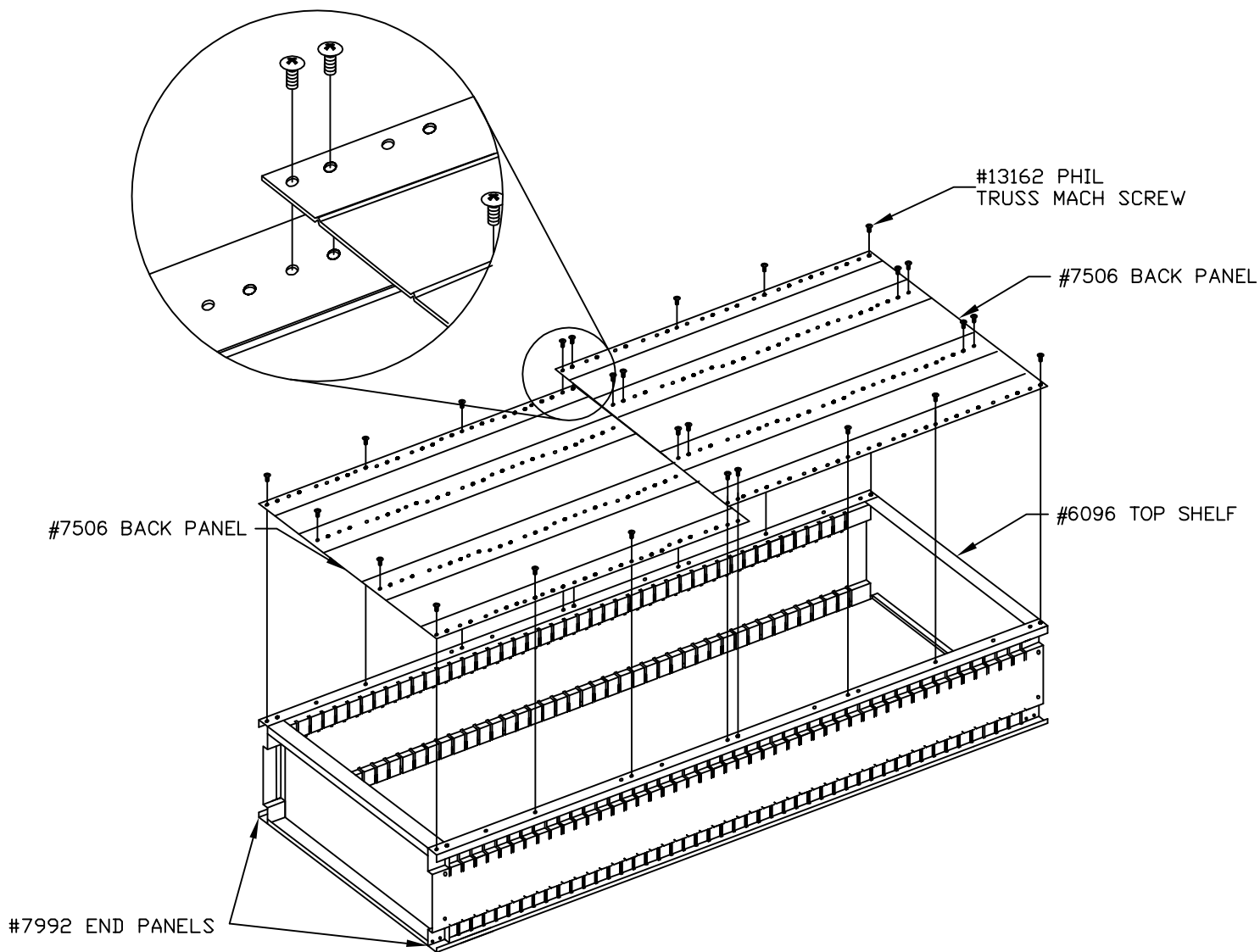


#13162 PHIL TRUSS MACH SCREW
#13060 KEPS NUT 1/4-20
(5 PER SIDE)

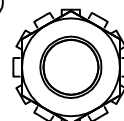
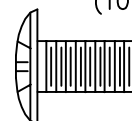


2 BACK PANEL ASSEMBLY

NOTE: OVER LAY TWO BOLTS ON BACK PANELS.



#13162 PHIL TRUSS MACH SCREW
#13060 KEPS NUT 1/4-20
(10 PER SIDE)

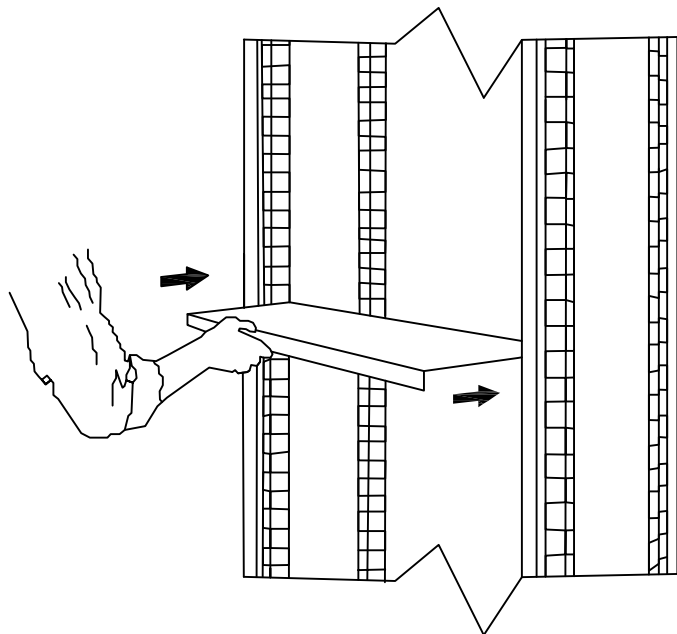


II ADDITIONAL SHELVING UNITS

1

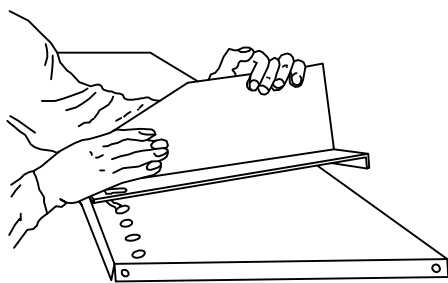
SHELVING ADDITIONS

1a.) MOUNTING INTERMEDIATE SHELF TO END PANELS

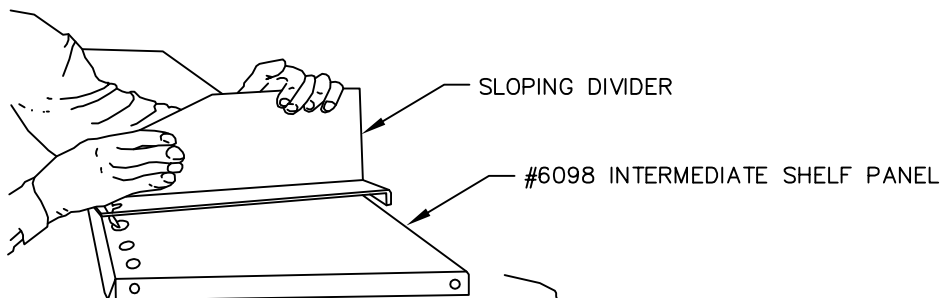


NOTE: NO HARDWARE IS
REQUIRED TO MOUNT
INTERMEDIATE SHELVING

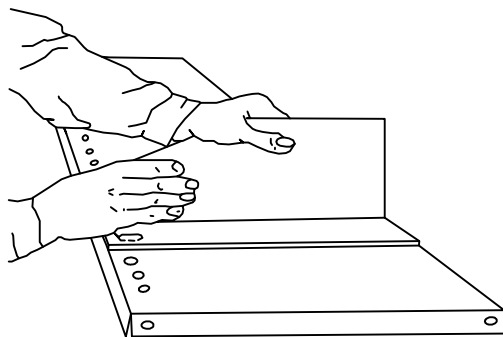
2a.) MOUNTING DIVIDERS TO SHELVING



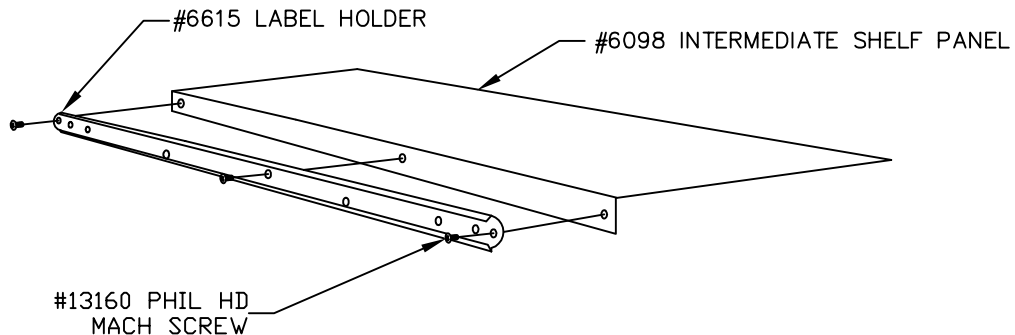
NOTE: NO HARDWARE IS
REQUIRED TO MOUNT DIVIDERS.



NOTE: 4 1/2" HIGH SLOPING DIVIDERS
FURNISHED FOR 6" OR 7 1/2" HIGH
SHELF SPACE. 6" HIGH SLOPING
DIVIDERS FURNISHED FOR 9" OR
HIGHER SHELF SPACES.



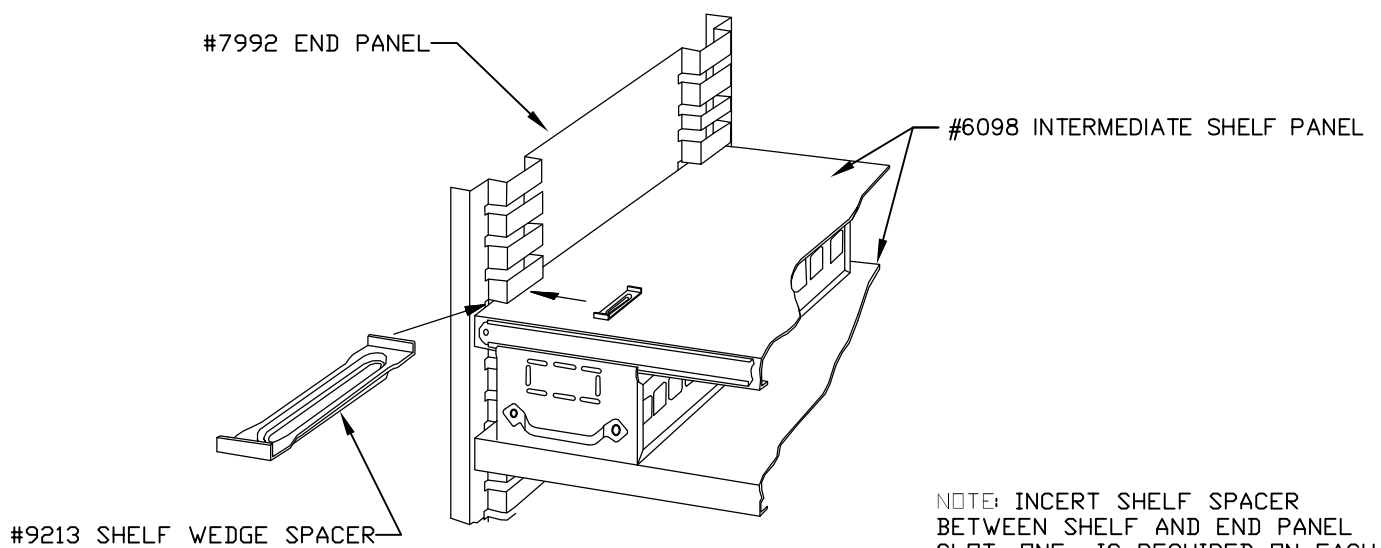
3a.) MOUNTING LABEL HOLDERS TO SHELVING



#13160 PHIL HD MACH SCREW
#13061 KEPS NUT #10-24
(3 PER SHELF)



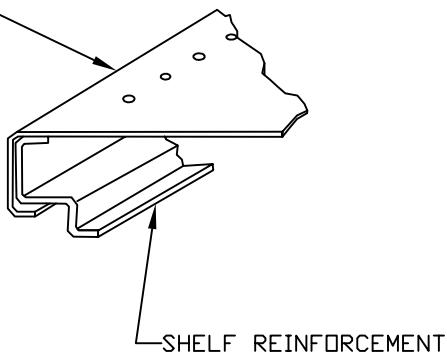
4a.) SHELVING DRAWERS ASSEMBLY



NOTE: INCERT SHELF SPACER
BETWEEN SHELF AND END PANEL
SLOT, ONE IS REQUIRED ON EACH
FRONT EDGE OF SHELF DIRECTLY
ABOVE DRAWERS.

5a.) SHELVING REINFORCEMENT

LOWEST #6098 INTERMEDIATE SHELF

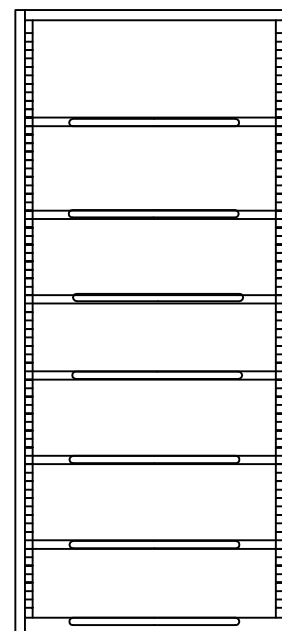
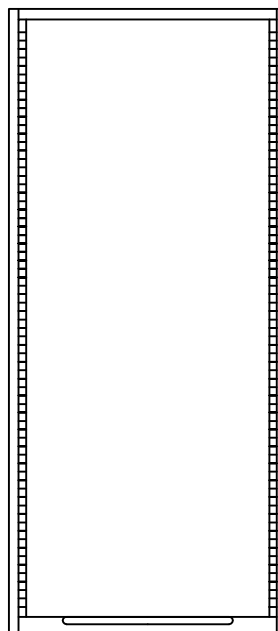
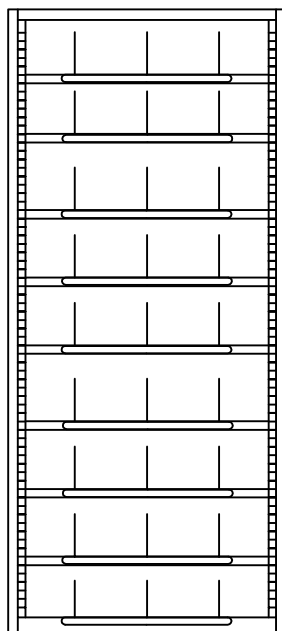
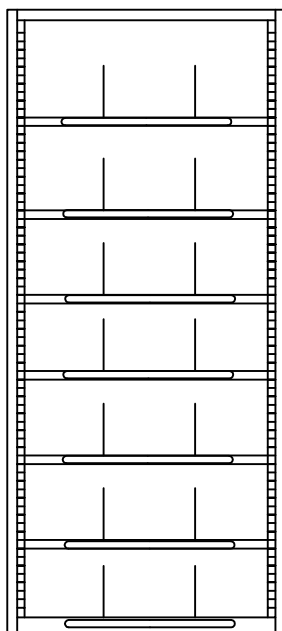


NOTE: POSITION SHELVING REINFORCEMENT ON THE LOWEST INTERMEDIATE SHELF. ALIGHT THE HOLES & SCREWS WITH THE ATTACHMENT OF THE LABEL HOLDER. REFER TO SECTION 3A

#13160 PHIL HD MACH SCREW
#13061 KEPS NUT #10-24 X 3/8"
(3 PER SHELF)



2 SHELVING CONFIGURATIONS



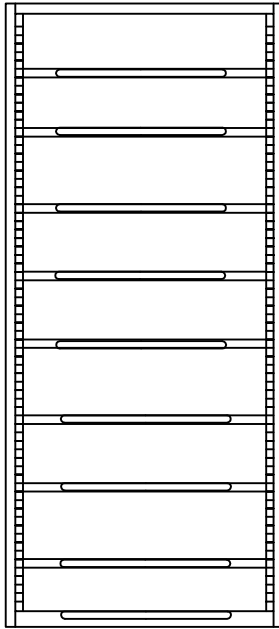
- ND. 3010
MATERIAL LIST FOR 3010
- 2 - #7506 BACK PANEL
 - 2 - #7992 END PANELS
 - 1 - #6096 TOP SHELF
 - 1 - #6097 BOTTOM SHELF
 - 7 - #6615 LABEL HOLDERS
 - 6 - #6098 INTERMEDIATE SHELVES
 - 14 - #8147 SLOPING DIVIDERS
 - 1 - #10047 SHELF REINFORCEMENT
 - 21 - #13060 KEPS NUT
 - 21 - #13061 PHIL HD MACH SCREWS 3/8"
 - 48 - #13162 PHIL TRUSS HD MACH SCREW 1/4" X 1/2 BOLTS AND NUTS
 - 50 - #13060 KEPS NUT 1/4-20
 - 2 - #13130 PHILLIPS TRUSS HEAD SCREW

- ND. 3012
MATERIAL LIST FOR 3012
- 2 - #7506 BACK PANEL 35-3/4" X 83-1/2"
 - 2 - #7992 END PANELS 12" X 84"
 - 1 - #6096 TOP SHELF 12" X 35-5/8"
 - 1 - #6097 BOTTOM SHELF 12" X 35-5/8"
 - 8 - #6098 INTERMEDIATE SHELVES 11-15/16" X 35-3/8"
 - 27 - #8147 SLOPING DIVIDERS 6" X 12"
 - 1 - #10047 SHELF REINFORCEMENT 1-1/2" X 35-5/8"
 - 2 - #6615 LABEL HOLDERS 1-1/8" X 34"
 - 27 - #13060 KEPS NUT
 - 27 - #13061 PHIL HD MACH SCREWS 3/8"
 - 48 - #13162 PHIL TRUSS HD MACH SCREW 1/4" X 1/2 BOLTS AND NUTS
 - 50 - #13060 KEPS NUT 1/4-20
 - 2 - #13130 PHILLIPS TRUSS HEAD SCREW

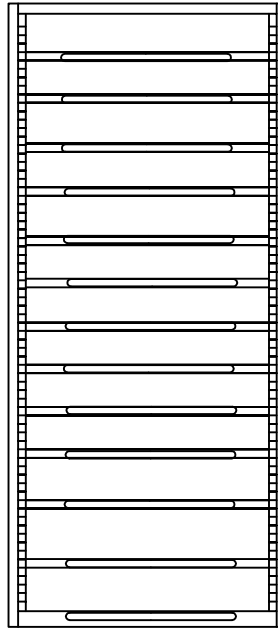
- ND. 3020
MATERIAL LIST FOR 3020
- 2 - #7506 BACK PANEL 35-3/4" X 83-1/2"
 - 2 - #7992 END PANELS 12" X 84"
 - 1 - #6096 TOP SHELF 12" X 35-5/8"
 - 1 - #6097 BOTTOM SHELF 12" X 35-5/8"
 - 1 - #6615 LABEL HOLDERS 1-1/8" X 34"
 - 48 - #13162 PHIL TRUSS HD MACH SCREW 1/4" X 1/2 BOLTS AND NUTS
 - 50 - #13060 KEPS NUT 1/4-20
 - 2 - #13130 PHILLIPS TRUSS HEAD SCREW

- ND. 3021
MATERIAL LIST FOR 3021
- 2 - #7506 BACK PANEL 35-3/4" X 83-1/2"
 - 2 - #7992 END PANELS 12" X 84"
 - 1 - #6096 TOP SHELF 12" X 35-5/8"
 - 1 - #6097 BOTTOM SHELF 12" X 35-5/8"
 - 6 - #6098 INTERMEDIATE SHELVES 11-15/16" X 35-3/8"
 - 1 - #10047 SHELF REINFORCEMENT 1-1/2" X 35-5/8"
 - 7 - #6615 LABEL HOLDERS 1-1/8" X 34"
 - 21 - #13060 KEPS NUT
 - 21 - #13061 PHIL HD MACH SCREWS 3/8"
 - 48 - #13162 PHIL TRUSS HD MACH SCREW 1/4" X 1/2 BOLTS AND NUTS
 - 50 - #13060 KEPS NUT 1/4-20
 - 2 - #13130 PHILLIPS TRUSS HEAD SCREW

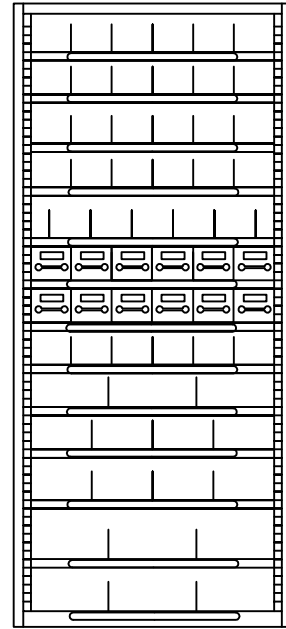
SHELVING CONFIGURATIONS CONTINUED



- NO. 3022
MATERIAL LIST FOR 3022
- 2 - #7506 BACK PANEL 35-3/4" X 83-1/2"
 - 2 - #7992 END PANELS 12" X 84"
 - 1 - #6096 TOP SHELF 12" X 35-5/8"
 - 1 - #6097 BOTTOM SHELF 12" X 35-5/8"
 - 8 - #6098L INTERMEDIATE SHELVES 11-15/16" X 35-3/8"
 - 1 - #10047 SHELF REINFORCEMENT 1-1/2" X 35-5/8"
 - 9 - #6615 LABEL HOLDERS 1-1/8" X 34"
 - 59 - #13060 KEPS NUT
 - 59 - #13061 PHIL HD MACH SCREWS 3/8"
 - 48 - #13162 PHIL TRUSS HD MACH SCREW 1/4" X 1/2 BOLTS AND NUTS
 - 50 - #13060 KEPS NUT 1/4-20
 - 2 - #13130 PHILLIPS TRUSS HEAD SCREW



- NO. 3023
MATERIAL LIST FOR 3023
- 2 - #7506 BACK PANEL 35-3/4" X 83-1/2"
 - 2 - #7992 END PANELS 12" X 84"
 - 1 - #6096 TOP SHELF 12" X 35-5/8"
 - 1 - #6097 BOTTOM SHELF 12" X 35-5/8"
 - 12 - #6098L INTERMEDIATE SHELVES 11-15/16" X 35-3/8"
 - 1 - #10047 SHELF REINFORCEMENT 1-1/2" X 35-5/8"
 - 13 - #6615 LABEL HOLDERS 1-1/8" X 34"
 - 59 - #13060 KEPS NUT
 - 59 - #13061 PHIL HD MACH SCREWS 3/8"
 - 48 - #13162 PHIL TRUSS HD MACH SCREW 1/4" X 1/2 BOLTS AND NUTS
 - 50 - #13060 KEPS NUT 1/4-20
 - 2 - #13130 PHILLIPS TRUSS HEAD SCREW



- NO. 3001
MATERIAL LIST FOR 3001
- 2 - #7506 BACK PANEL 35-3/4" X 83-1/2"
 - 2 - #7992 END PANELS 12" X 84"
 - 1 - #6096 TOP SHELF 12" X 35-5/8"
 - 1 - #6097 BOTTOM SHELF 12" X 35-5/8"
 - 11 - #6098 INTERMEDIATE SHELVES 11-15/16" X 35-3/8"
 - 41 - #8146 SLOPING DIVIDERS 6" X 12"
 - 2 - #8147 SLOPING DIVIDERS 6" X 12"
 - 1 - #10047 SHELF REINFORCEMENT 1-1/2" X 35-5/8"
 - 11 - #6615 LABEL HOLDERS 1-1/8" X 34"
 - 59 - #13060 KEPS NUT
 - 59 - #13061 PHIL HD MACH SCREWS 3/8"
 - 48 - #13162 PHIL TRUSS HD MACH SCREW 1/4" X 1/2 BOLTS AND NUTS
 - 50 - #13060 KEPS NUT 1/4-20
 - 2 - #13130 PHILLIPS TRUSS HEAD SCREW